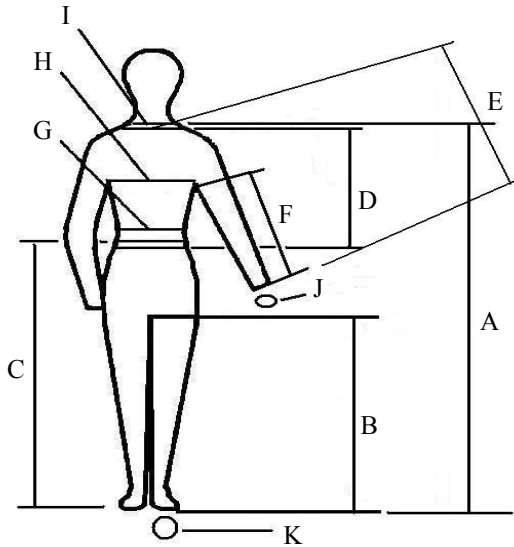




Weldas CE markings on this product designates it as tested and certified according to directive 89/686/EEC Level 2.

Clothing type: Golden Brown™**Trade mark: Golden Brown™****Size: see imprint on the product****Sizing according to: EN ISO 13688 (in CM).**

	A	B	C	D	E	F	G	H	I	J	K
M				76	79	52.5		100	52	33	
L				81	84	54.5		112	54	35	
XL				86	85.5	55		124	55	35.5	
2XL				91	86	56.5		136	56	37	
3XL				96	87	57.5		148	57	37.5	

Intended use:**General:**

This product is intended to be used for all arc welding processes like MMA, MIG/MAG, TIG, micro plasma, spot and gas welding as well as plasma and oxygen cutting, gouging, brazing and thermal arc spraying. Because applications vary, it is the user's responsibility to identify the right product for each application.

Identified hazards:

With the welding processes of intended use the following hazards are identified: flames, spatter of molten material, radiant heat as well as short term electrical shock.

High voltage:

This product protects against short term electrical shock and not against long term high voltages! Welding and cutting machines can cause these so follow the safety instructions of the machines used as well! When there is an increased risk of shock or electrical live parts additional electrical isolation will be required as is indicated under 6.10 of the EN11611 for protection against live electrical conductors up to 100 V = (DC).

Body protection in all positions:

This product protects in certain positions of working and welding. It could be possible that extra protection products are required. It is the responsibility of the user to identify that.

Protection of aprons:

In case an apron is used the apron should, at least, protect the user from seam side to seam side

Additional garments:

Additional garments shall meet at least Class 1 of the EN11611.

Improper use:**Level of protection:**

The level of protection will be reduced if the welders protective clothing is contaminated with flammable materials.

Level of oxygen:

Increase of oxygen in the air will reduce considerably the protection of the welders protective clothing against flame. Care should be taken when welding in confined places. Air enriched with oxygen will be dangerous!

Electrical isolation:

The electrical isolation provided by the clothing will be reduced when the clothing is wet, dirty or soaked in sweat.

Use of 2-piece clothing:

When 2-piece clothing is used both items shall be worn together to provide the specified level of protection

Additional body protection during welding:

Additional body protection used with this product during welding must meet the appropriate EN standard for welding hazards.

Limitations for use:

This leather work clothing to be used for general labour activities as well as welding. User has to see to it that all closures are closed specially for use with welding applications and the choice of the right size.

Attention:

Weldas gloves and clothing have been tested and certified at TÜV Rheinland LGA Products GmbH, Germany (EU no. 0197). For more information on EN standards, testing methods, test reports, product certifications, and other products, please e-mail us at: europa@weldas.com or visit our web site: www.weldas.com

Materials used:

Side split cowhide in combination with 315 gr/m² flame retardant fabric is used with 3 ply KEVLAR® for manufacturing this product as well as current isolated push buttons and hook and loop fastening materials for the closures and reinforcements. DuPont™ and KEVLAR® are trademarks or registered trademarks of E.I.duPont de Nemours and Company

Health information:

The pH, Chromium (VI) and PCP levels of all materials have been tested and meet CE health standards. Coloring: coloring is done by using natural materials

Washing, drying and ironing:

No washing, drying and ironing is advised

Storage:

Store dry and at temperatures over 5° Celcius. Do not stack higher than 5 cartons on 1 pallet.

Warrantee:

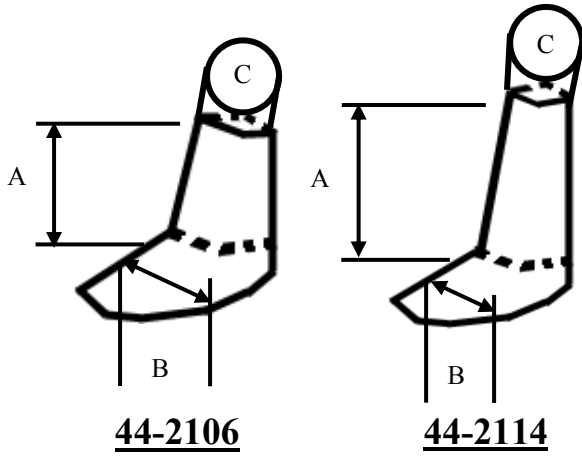
This product is warranted against manufacturing defects.

Address information Weldas:

Weldas Europe B.V. Blankenweg 18 4612 RC Bergen op Zoom The Netherlands e-mail: europa@weldas.com

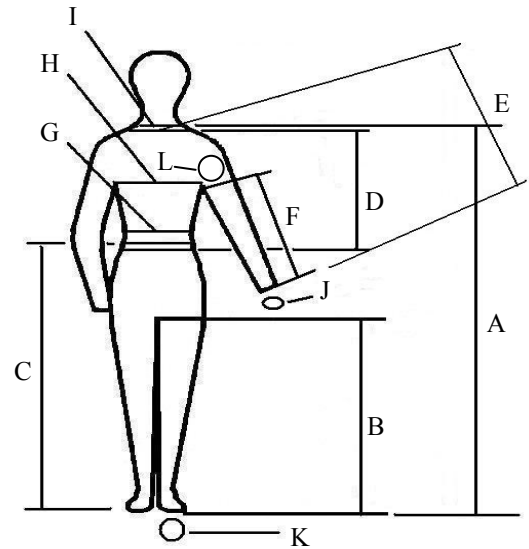


WELDAS PRODUCT:
44-2106, 44-2114
EN ISO 11611 (2007), Class 2/A1



	A	B	C
44-2106	15	21,5	33-43
44-2114	36	26,5	37-47

WELDAS PRODUCT:
44-2321, 44-2600, 44-2648, 44-2847
EN ISO 11611 (2007), Class 2/A1



	A	B	C	D	E	F	G	H	I	J	K	L
44-2321						52				21-31		34-47
44-2321XL						52				21-31		45-60
44-2600M		74	110				98					60
44-2600L		75	112				104					62
44-2600XL		80	116				120					64
44-2648M	136	74	98				90					49
44-2648L	140	78	102				96					53
44-2648XL	144	80	105				98					55
44-2648XXL	148	82	110				106					57
44-2847L	92							116				
44-2847XL	92							126				

WELDAS PRODUCT:
44-2136, 44-2142,
44-2828, 44-2836
EN ISO 11611 (2007), Class 2/A1

	Length CM	Width CM
44-2136	91	60
44-2142	107	60
44-2142 W	107	80
44-2828	71	55
44-2836	91	55



The following explains the pictogram marked on this product:



General safety requirements

Subclause	Requirement	Class 1	Class 2
6.1	Tensile strength - woven outer textile material - leather	400 N 80 N	400 N 80 N
6.2	Tear strength	20 N	20 N
6.3	Burst strength	200 kPa	200 kPa
6.4	Seam strength - textile material - leather	225 N 110 N	225 N 110 N
6.5	Dimensional change of woven textile materials Dimensional change of knitted textile materials	$\leq \pm 3 \%$ $\leq \pm 5 \%$	$\leq \pm 3 \%$ $\leq \pm 5 \%$
6.6	Requirements for leather: fat content	$\leq 15 \%$	$\leq 15 \%$
6.7	Flame spread	ISO 15025:2000, Procedure A (surface ignition); ISO 15025:2000, Procedure B (edge ignition); No flaming to the top or either side edge No hole formation ^a No flaming or molten debris Mean afterflame ≤ 2 s Mean afterglow ≤ 2 s	ISO 15025:2000, Procedure A (surface ignition); ISO 15025:2000, Procedure B (edge ignition); No flaming to the top or either side edge No hole formation ^a No flaming or molten debris Mean afterflame ≤ 2 s Mean afterglow ≤ 2 s
6.8	Impact of spatter	15 drops	25 drops
6.9	Heat transfer (radiation)	RHTI 24 W 7	RHTI 24 W 16
6.10	Electrical resistance	$> 10^5 \Omega$	$> 10^5 \Omega$
6.11	Innocuousness	See 6.11	See 6.11

^a For ISO 15025:2000, Procedure B, this requirement is not applicable

Testing and certification of this product is done according to EN ISO 11611:2007 by TÜV Rheinland LGA Products GmbH, Tillystraße 2, D-90431 Nürnberg, Germany (notified body number 0197).



Test report number 21190228 001, 21190282 001, 21190317 001 and certificate number BP 60079303 0001, BP 60079313 0001, BP 60079315 0001. Test reports, certificates and manuals can be downloaded from: www.weldas-ce.com